



公司简介

北京康洁之晨水处理技术有限公司的前身是北京洁明之晨水处理技术有限公司。康洁公司是一家专业致力于环保和新能源技术研发、生产的专业化公司，总部位于北京市沙河工业园区，公司拥有国际国内合作商和代理商数百家。康洁之晨自一九九四年成立以来，一直致力于引进及开发新技术、新产品、新材料。

1994年，第一家将全自动多路控制阀技术引入中国，洁明公司成立。

1996年，第一家将叠片式过滤技术引入中国。

1999年，第一家引进并生产玻璃钢罐体。

2000年，第一家自主研发出叠片式过滤器并成功投产。

2003年，第一家自主研发出多阀控制器投入批量生产。

2005年，第一家自主研发出流量控制器投入批量生产。

2006年，与美国滨特尔公司建立合资公司。

2009年，结束与美国滨特尔公司的合作，以全新的面貌研发生产适合中国国情的水处理设备材料。

2010年，第一家自主研发出无电源全自动控制多路阀。

2010年，将叠片式过滤器全面升级、换代、全新面市。

2010年，与武汉大学共建了水处理工艺研究实验室。

2011年，与美国康科公司建立战略合作伙伴。

2011年，正式更名为“北京康洁之晨水处理技术有限公司”。

2012年，将隔膜阀扩展为8个系列几十个规格在更广阔的水处理领域应用。

2013年，开发成功适合海水淡化预处理的叠片式过滤器。

2014年，与国内多家农林灌溉的知名企业建立战略合作伙伴关系。

2015年，成功将逆流再生全自动软水器改进升级并投放市场。

公司主要产品为自动软化器、叠片式过滤器，同时生产和销售无电源全自动控制阀、多阀控制器、隔膜阀、两位三通阀，等水处理基础设备和材料。联合一切志同道合的伙伴，诚信、勤奋，为社会进步，为人类造福！这是我们的责任，是我们的共同目标。



COMPANY PROFILE

Beijing Kangjie Zhichen Water Treatment Co., Ltd. is engaged in researching and developing environmental and new energy technologies and products. Its headquarter is located in Shahe Industrial Zone, Beijing, China, along with several hundreds of international and domestic partners and agents. Beijing Kangjie Zhichen Water Treatment Co., Ltd. began as Beijing Jieming Water Treatment Co., Ltd. which was founded in 1994.

Since its foundation in 1994, Kangjie Zhichen has been dedicated to introducing and developing new technologies, new products and new materials.

In 1994, Kangjie Zhichen is the first company to introduce automatic multiple control valve technology into China.

In 1996, Kangjie Zhichen is the first company to introduce disc filtration technology into China.

In 1999, Kangjie Zhichen is the first company to introduce and produce fiberglass reinforced plastics (FRP) tank in 1999.

In 2000, Kangjie Zhichen is the first company to independently research and develop disc filter technology and successfully produce disc filters.

In 2003, Kangjie Zhichen is the first company to independently research and develop multi-valve controllers and put multi-valve controllers into mass production.

In 2005, Kangjie Zhichen is the first company to independently research and develop flow meter controllers and put meter controllers into mass production.

In 2006, Kangjie Zhichen established a Joint Venture with Pentair.

In 2009, Kangjie Zhichen ended Joint Venture with Pentair and began to conduct new research and development for China and overseas water treatment markets.

In 2010, Kangjie Zhichen is the first company to independently research and develop hydraulic automatic control valves which don't need power supply.

In 2010, Kangjie Zhichen upgraded and updated disc filters and put new generation disc filters into market.

In 2010, Kangjie Zhichen established a water treatment technology research laboratory with Wuhan University.

In 2011, Kangjie Zhichen established strategic and cooperative partnership with Kinetico.

In 2011, The Company changed its name to "Beijing Kangjie Zhichen Water Treatment Co., Ltd."

In 2012, Kangjie Zhichen expanded the diaphragm valves to 8 series with dozens of options and substantially broadened the range of applications.

In 2013, Kangjie Zhichen successfully developed disc filters for seawater desalination applications.

In 2014, Kangjie Zhichen established strategic and cooperative partnership with several well-known enterprises in agricultural irrigation industry.

Market success entry by upgrading and improving counter-current regeneration automatic water softener by 2015.

Our main products include automatic water softeners and disc filters; we also produce automatic control valves, multi-valve controllers, diaphragm valves, two-position three-way valves, cartridge filters and many other water treatment equipment and materials.



CONTENTS

目录

AIGER 过滤器的分类 01-02

AIGER WATER FILTER CLASSIFICATION

自清洗过滤器的工作原理 03-04

WORKING PRINCIPLE OF SELF CLEANING FILTER

JA100 自清洗过滤器 05-06

JA100 SELF CLEANING FILTER

JA200 自清洗过滤器 07-08

JA200 SELF CLEANING FILTER

JA300 自清洗过滤器 09-10

JA300 SELF CLEANING FILTER

JA400 自清洗过滤器 11-12

JA400 SELF CLEANING FILTER

JA500 自清洗过滤器 13-14

JA500 SELF CLEANING FILTER

JA600 自清洗过滤器 15-16

JA600 SELF CLEANING FILTER

JA700 自清洗过滤器 17-18

JA700 SELF CLEANING FILTER

JAF 管道过滤器 19-20

JAF PIPE FILTER

JAL/JAY/JSAY 管道过滤器 21-22

JAL/JAY/JSAY PIPE FILTER

JQF 砂滤器 23-24

ООО «ТИ-СИСТЕМС» ИНЖИНИРИНГ И ПОСТАВКА ТЕХНОЛОГИЧЕСКОГО ОБОРУДОВАНИЯ

Интернет: www.tisys.ru www.tisys.kz www.tisys.by www.tisec.ru www.ти-системс.рф

Телефоны: +7 (495) 7774788, 7489626, (925) 5007155, 54, 65

Эл. почта: info@tisys.ru info@tisys.kz info@tisys.by

JQF SERIES SAND FILTER



AIGER 水过滤器的分类

AIGER WATER FILTER CLASSIFICATION

系列 Item	清洗方式 Cleaning way	驱动方式 Drive way	控制方式 Control model	安装方式 Installation mode
JA100	吸咀 Suction nozzle	水力驱动 Hydraulic drive	压差、定时控制 Differential pressure, Timing control	立式 Vertical
JA200		电机驱动 Motor drive		卧式 Horizontal
JA300		水力驱动 Hydraulic drive		卧式 Horizontal
JA400		电机驱动 Motor drive		立式 Vertical
JA500	刷子 Brush	电机驱动 Motor drive		卧式 Horizontal
JA600		电机驱动 Motor drive		立式 Vertical
JA700		电机驱动 Motor drive		立式 Vertical
JAF	刷子 Brush	电机驱动 / 手动 Manual/Motor drive	手动、压差、定时控制 Manual, DP, Timing control	卧式 Horizontal
JAL	手动 Manual	手动 Manual	-	立式 Vertical
JAY	刷子 Brush	电机驱动 / 手动 Manual/Motor drive	手动、压差、定时控制 Manual, DP, Timing control	自由安装 Unrestricted
JQF	石英砂 Quartz sand	水力驱动 Hydraulic drive	压差、定时控制 Differential pressure, Timing control	立式 Vertical

主要部件材质

- 本体 碳钢 37-2 经环氧树脂喷涂
- 滤网 不锈钢
- 滤网支架 P.V.C 或不锈钢
- 集污总成 不锈钢 304, 黄铜, P.V.C
- 压差控制器 黄铜, P.V.C
- 水力马达 不锈钢 304
- 液面活塞 不锈钢 304, 黄铜, 橡胶 EPDM
- 排污阀 不锈钢, 黄铜, 橡胶 EPDM
- 密封 橡胶 EPDM

MAIN PARTS MATERIALS

- Body Epoxy-coated carbon steel St 37-2
- Filter screen stainless steel
- Filter construction P.V.C/stainless steel
- Assembly Sewage collection 304 stainless steel, brass, P.V.C
- Differential DP controller Brass, P.V.C
- Hydraulic motor Stainless steel 304
- Liquid piston Stainless steel 304, brass, Rubber EPDM
- Drain valve Stainless steel, brass, Rubber EPDM
- Seals Rubber EPDM

特殊订制 / SPECIAL ORDER

我公司可根据用户要求的尺寸、材质（如：碳钢、不锈钢）、颜色等特殊要求订制。

Our company can manufacture the filter according to the user's requirements of size, material (eg. carbon steel, stainless steel), color and other special requirements.

APPLICATION

Public water

river water
well water
urban water
recycle water

- ✓ RO
- ✓ Ion exchanger
- ✓ Plant water
- ✓ Drinking water
- ✓ Pump water

Pollution treatment

Wet type scrubber,
Sewage circulating water

Cooling water

cooling tower circulating water, condensed water, cooling system

Food factory

Bottle washer, pasteurization system,
juice

Steel factory

Casting, cleaning, acid cleaning

Plastic plant

Extrusion machine, injection molding machine, air compressor, cooling water tank

Papermaking factory

White water, seal water,
spray water

Agricultural irrigation

Lake or water flow pump

Beside filtration system

Filter system

Beside filtration system

Beside filtration system



工作原理

WORKING PRINCIPLE

吸咀式

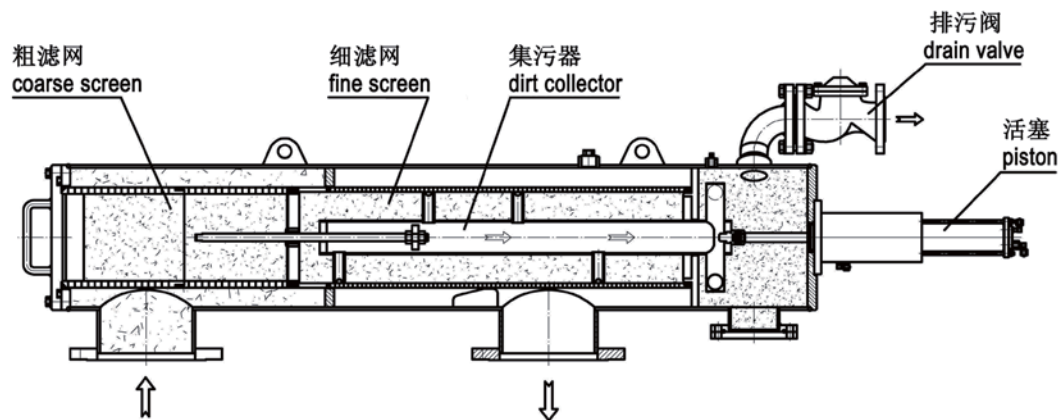
污水自入水口进入经过粗、细滤网过滤，然后流向出口。在过滤过程中，细滤网表面逐渐积累水中的杂质。形成过滤杂质层。由于杂质堆积在细滤网的内侧，因此在细滤网的内、外两侧就形成了一个压力差。当压差达到系统预设值时，自动清洗功能被启动，此间系统的供水不中断，反冲洗阀或者排污阀打开，污水由排污阀排出。此时水力马达室及集污器内的压力大幅下降，开始吸污过程：此时同样一股很强的反冲洗水流向外部，吸咀上产生一股吸力再加上水流经过水力马达时，由于液压活塞压力下降，带动集污器绕轴进行旋转做轴向运动将整个细滤网内表面完全清洗干净。该型过滤器同时安装有定时控制器，可在一定时间间隔内定时排污。

电机驱动型吸污式过滤器原理同上，只是集污器由电机驱动。

SUCTION NOZZLE FILTER

The waste water enter into the coarse screen, and fine screen from the inlet then flow out from the outlet. In filter process, the fine screen surface gradually accumulates the impurities from the water, then form the filter impurity layer. Because the impurities accumulate in inside of the fine screen, then forming a pressure difference inside and outside of the fine screen. When the differential pressure system reaches the preset value, automatic cleaning function is started, the system of water supply is not interrupted, open backwash valve or drain valve, the waste water outlet from the drain valve. at the same time the pressure goes down in the hydraulic motor chamber and dirt collector, and start the sewage cleaning process: there is a very strong backwash water flow to the outside, the suction nozzle produce a suction power coupled with the flow power through the hydraulic motor. Because the hydraulic piston pressure go down, lead the dirt collector rotate around the axis of rotation to move, so perfectly clean the inner surface of fine screen. This type of filter is simultaneously provided with a timing controller, which can regular blowdown in certain time.

Motor driven type suction filter principle ibid, just dirt collector is motor driven.

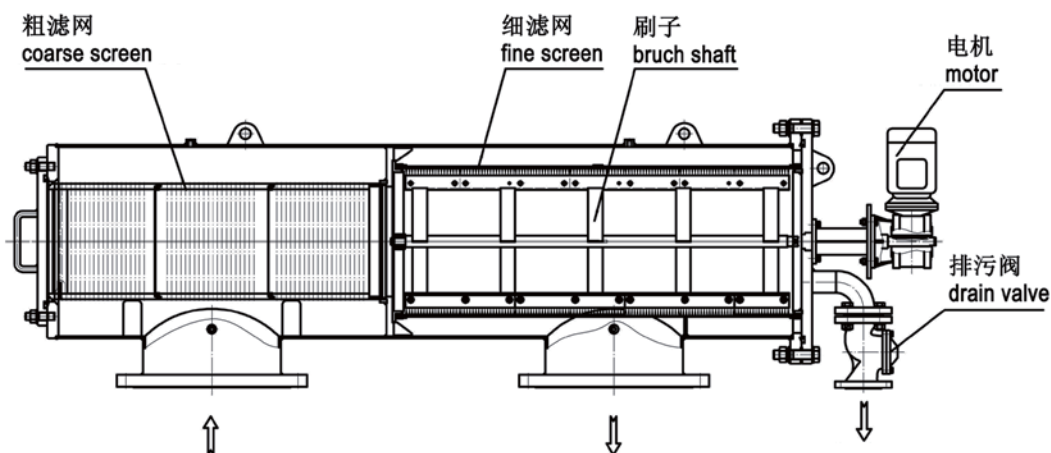


刷式

污水由设备的入水口进入机内，粗滤网先对污水中的体积较大的杂质进行拦截，防止这些杂质进入机体内部后损坏机体内的部件。粗滤后水流向机体另一端的细滤网，细滤网对水中的杂质及污物进行最后的拦截。因为污垢对滤网的堵塞使滤网中的水和滤网外的水有的压力差，当这个压力差达到压差开关的设定数值时，电控盒发出排污信号，控制阀、电机驱动、机体上的排污阀同时打开。电机转动带动机体内的不锈钢刷对滤网上的污垢进行清理，再通过排污口排出污水，完成一次自清洗过程。该型过滤器同时安装有定时控制器，可在一定时间间隔内定时排污。

BRUSH FILTER

The waste water flow into the filter from the water inlet, the coarse screen intercepts the large impurities in waste water, to prevent these impurities flowing into inside of the filter body damage to the parts. After this, the water flow into the fine screen at the other end, the fine screen does the final interception for the impurities in the water. These dirt clog screen, generate the differential pressure between the inside water and outside water of screen. When the DP ups to the setting value of DP switch, the electrical control box sends the drain signal. Control valve, motor driver, drain valve are opened at same time. The motor rotation drives the stainless steel brush to clean up dirt on the screen, and then the waste water flow out from drain outlet, and complete once self-cleaning process. This filter has timing controller too, so it can drain the sewage in certain interval time.





JA100型自清洗过滤器

JA100 SELF-CLEANING FILTER

JA100机型是专为低流量设计，安装空间小维护方便，吸咀式的清洗方式使得滤网使用寿命长。

JA100 models are specially designed for low flow installations. JA100 models can be used for prefiltration as well as final filtration for various water sources containing inorganic dirt load.

技术参数

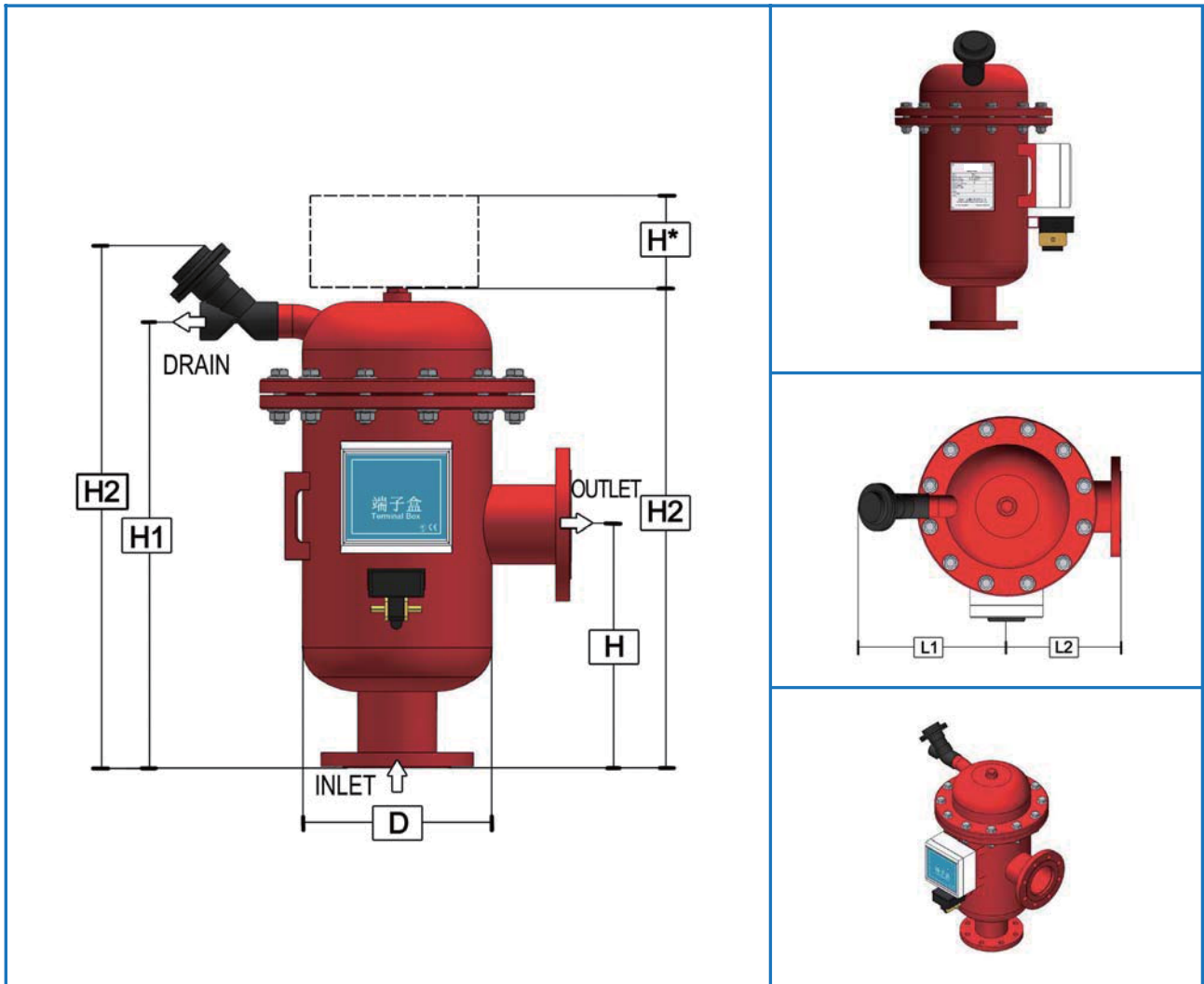
- 单台处理水量：15-60 m³/h
- 系统工作压力：0.25-2.5Mpa
- 压力等级：1.0Mpa/1.6Mpa/2.5Mpa
- 工作水温：0~65℃
- 过滤精度：50-3000 微米
- 进出口链接方式：法兰
- 反清洗时间：10~15 秒
- 反清洗水量：占过滤水量 1%~3%
- 控制方式：压差控制 / PLC 定时控制 / 手动控制
- 清洗方式：吸咀式
- 额定操作电压：220V，50Hz
- 安装方式：立式



TECHNICAL PARAMETERS

- Filter flow : 15-60 m³/h
- System working pressure : 0.25-2.5Mpa
- Pressure rating : 1.0Mpa/1.6Mpa/2.5Mpa
- Working temperature range : 0~65℃
- Filtering precision : 50-3000micron
- Inlet and outlet Connection : flange
- Backwash time : 10~15 sec
- Water usage during backwash cycle : 1%~3% of filtered water
- Control mode : DP control / PLC timing control / manual control
- Cleaning mode : suction nozzle
- Rated operating voltage : 220V,50Hz
- Installation mode : vertical

尺寸图 / SIZE CHART



型号规格 / MODEL AND SPECIFICATION

型号 Model	DN		流量 Flow m ³ /h	过滤面积 Filtration Area cm ²	重量 Weight Kg	尺寸 Dimensions						
	inch	mm				D	H	H1	H2	H2*	L1	L2
						mm						
JA102	2	50	15	1030	63	273	350	590	636	300	280	250
JA103	3	80	35	1030	65	273	350	590	636	300	280	250
JA104	4	100	60	1420	70	273	350	643	689	500	280	250



JA200 型自清洗过滤器

JA200 SELF-CLEANING FILTER

JA200系列有粗、细两级过滤网，吸咀式清洗方式，卧式安装。

A200 series have two-stage filtration (coarse screen and fine screen). Suction nozzle type cleaning method, horizontal installation.



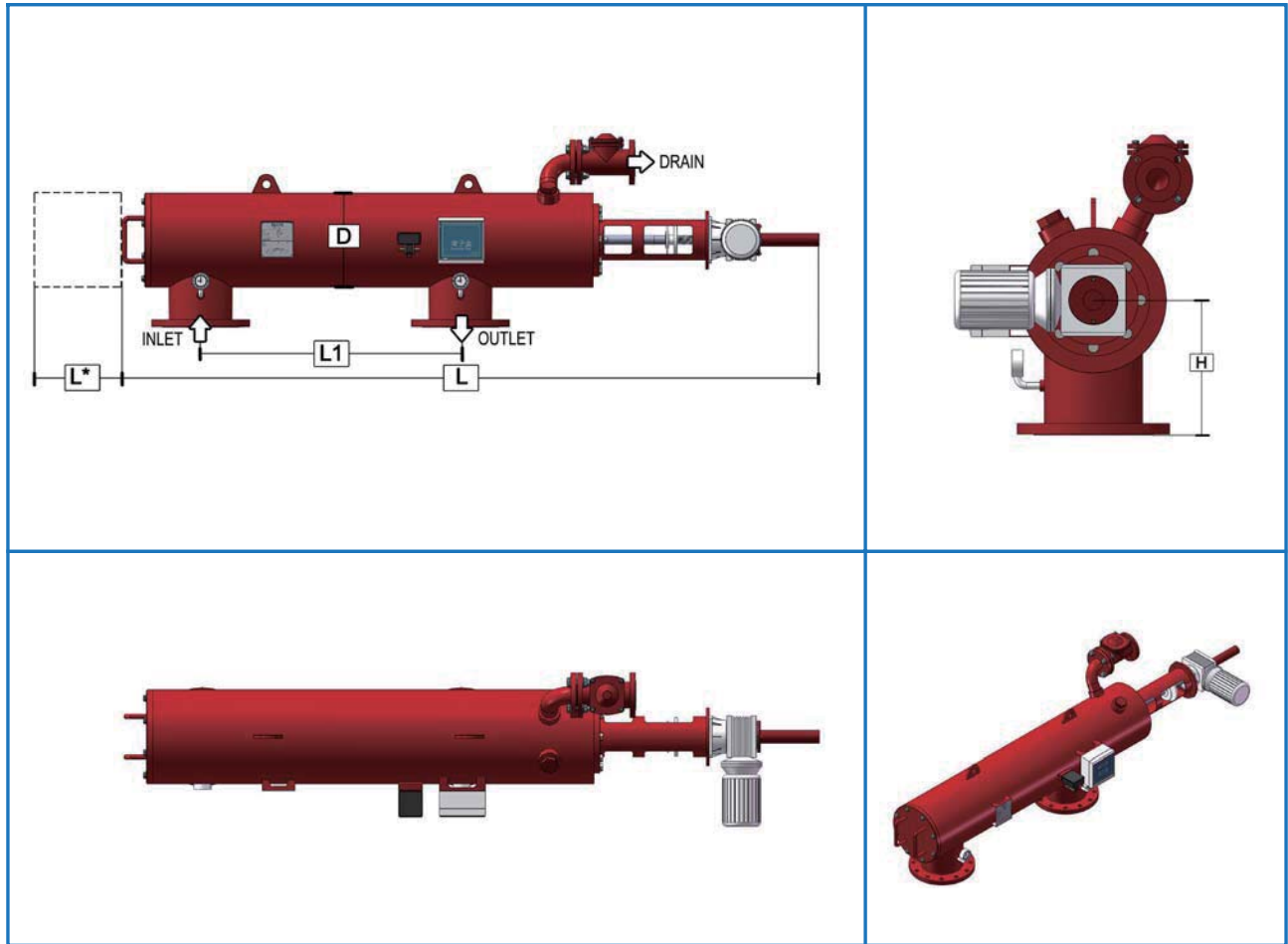
技术参数

- 单台处理水量：80~1500m³/h
- 系统工作压力：0.25-2.5Mpa
- 压力等级：1.0Mpa/1.6Mpa/2.5Mpa
- 工作水温范围：0~65°C
- 过滤精度：50 ~3000 微米
- 过滤器水头压力损失：< 0.01 Mpa
- 进出口连接方式：法兰
- 反冲洗时间：12~18 秒
- 反冲洗水量：占过滤水量 1~3%
- 控制方式：压差控制 / PLC 定时控制 / 手动控制
- 清洗方式：吸咀式
- 额定操作电压：三相、380v、220v、50Hz
- 安装方式：卧式

TECHNICAL PARAMETERS

- Filter flow : 80~1500 m³/h
- System working pressure : 0.25-2.5Mpa
- Pressure rating : 1.0Mpa/1.6Mpa/2.5Mpa
- Working temperature range : 0~65°C
- Filtering precision : 50 -3000micron
- Pressure loss : < 0.01 Mpa
- Inlet and outlet Connection : flange
- Backwash time : 12~18 sec
- Water usage during backwash cycle : 1%~3% of filtered water
- Control mode : DP control / PLC timing control / manual
- Cleaning mode : suction nozzle
- Rated operating voltage : 3 -ph, 380v, 220v, 50Hz
- Installation method : horizontal

尺寸图 / SIZE CHART



型号规格 / MODEL AND SPECIFICATION

型号 Model	DN		流量 Flow m ³ /h	过滤面积 Filtration Area cm ²	重量 Weight Kg	尺寸 Dimensions				
	inch	mm				D	H	L	L1	L*
	mm									
JA204	4	100	80	4900	145	273	245	2260	900	1400
JA206	6	150	150	4900	180	325	275	2330	900	1400
JA208	8	200	300	4900	200	325	275	2530	900	1400
JA210	10	250	400	6670	320	426	333	2710	1100	1600
JA212	12	300	600	10050	400	426	335	3460	1100	2350
JA214	14	350	900	11550	480	480	367	3460	1270	2350
JA216	16	400	1100	11550	560	530	400	3600	1270	2500
JA218	18	450	1500	11550	745	610	440	3610	1270	2500



JA300型自清洗过滤器

JA300 SELF-CLEANING FILTER

JA300系列采用水力活塞式驱动，进出口管径可做到4-18英寸，最高处理水量可达1500m³/h。有粗细两级过滤器网，吸咀式清洗方式。

JA300 series adopt hydraulic piston driven type, and their inlet-outlet range varies from 4" to 18" and their capacity range varies up to 1500m³/h. The filter adopts suction nozzle cleaning method with two-stage filtration.



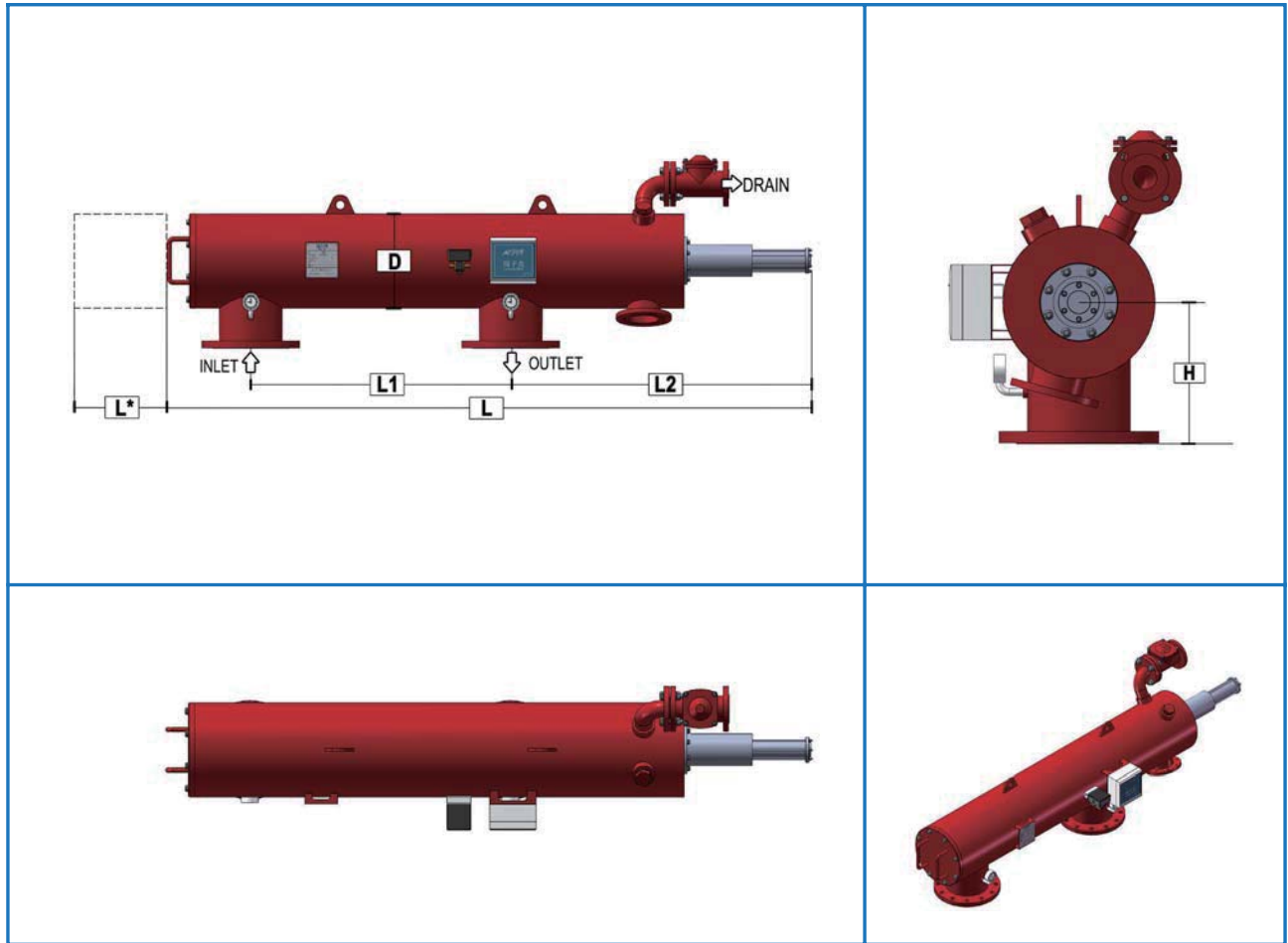
技术参数

- 单台处理水量：80~1500m³/h
- 系统工作压力：0.25-2.5Mpa
- 压力等级：1.0Mpa/1.6Mpa/2.5Mpa
- 工作水温范围：0~65℃
- 过滤精度：50 ~3000 微米
- 过滤器水头压力损失：< 0.01 Mpa
- 进出口连接方式：法兰
- 反冲洗时间：12~18 秒
- 反冲洗水量：占过滤水量 1~3%
- 控制方式：压差控制 / PLC 定时控制 / 手动控制
- 排污方式：自动排污，安全可靠、无故障
- 清洗方式：吸咀式
- 额定操作电压：220v、50Hz
- 安装方式：卧式

TECHNICAL PARAMETERS

- Filter flow : 80~1500 m³/h
- System working pressure : 0.25-2.5Mpa
- Pressure rating : 1.0Mpa/1.6Mpa/2.5Mpa
- Working temperature range : 0~65℃
- Filtering precision : 50 -3000micron
- Pressure loss : < 0.01 Mpa
- Inlet and outlet Connection : flange
- Backwash time : 12~18 sec
- Water usage during backwash cycle : 1%~3% of filtered water
- Control mode : DP control / PLC timing control / manual
- Cleaning mode : suction nozzle
- Rated operating voltage : 220v, 50Hz
- Installation method : horizontal

尺寸图 / SIZE CHART



型号规格 / MODEL AND SPECIFICATION

型号 Model	DN		流量 Flow m ³ /h	过滤面积 Filtration Area cm ²	重量 Weight Kg	尺寸 Dimensions						
	inch	mm				D	H	L	L1	L2	L3	L*
						mm						
JA304	4	100	80	4900	145	273	245	1982	900	887	110	1400
JA306	6	150	150	4900	180	325	275	2058	900	922	150	1400
JA308	8	200	300	4900	200	325	275	2248	900	1072	190	1400
JA310	10	250	400	6670	320	426	333	2424	1100	969	265	1600
JA312	12	300	600	10050	400	426	335	3175	1100	1274	711	2350
JA314	14	350	900	11550	480	480	367	3175	1270	1119	696	2350
JA316	16	400	1100	11550	560	530	400	3322	1270	1269	693	2500
JA318	18	450	1500	11550	745	610	440	3330	1270	1267	698	2500



JA400型自清洗过滤器

JA400 SELF-CLEANING FILTER

JA400 系列不需要粗滤网，采用点击吸咀式清洗方式，稳定可靠。立式安装占地面积小。

Coarse screen for A400 series is not required, A400 series adopt motor nozzle cleaning mode. The features are stable, reliable, and less occupied area.

技术参数

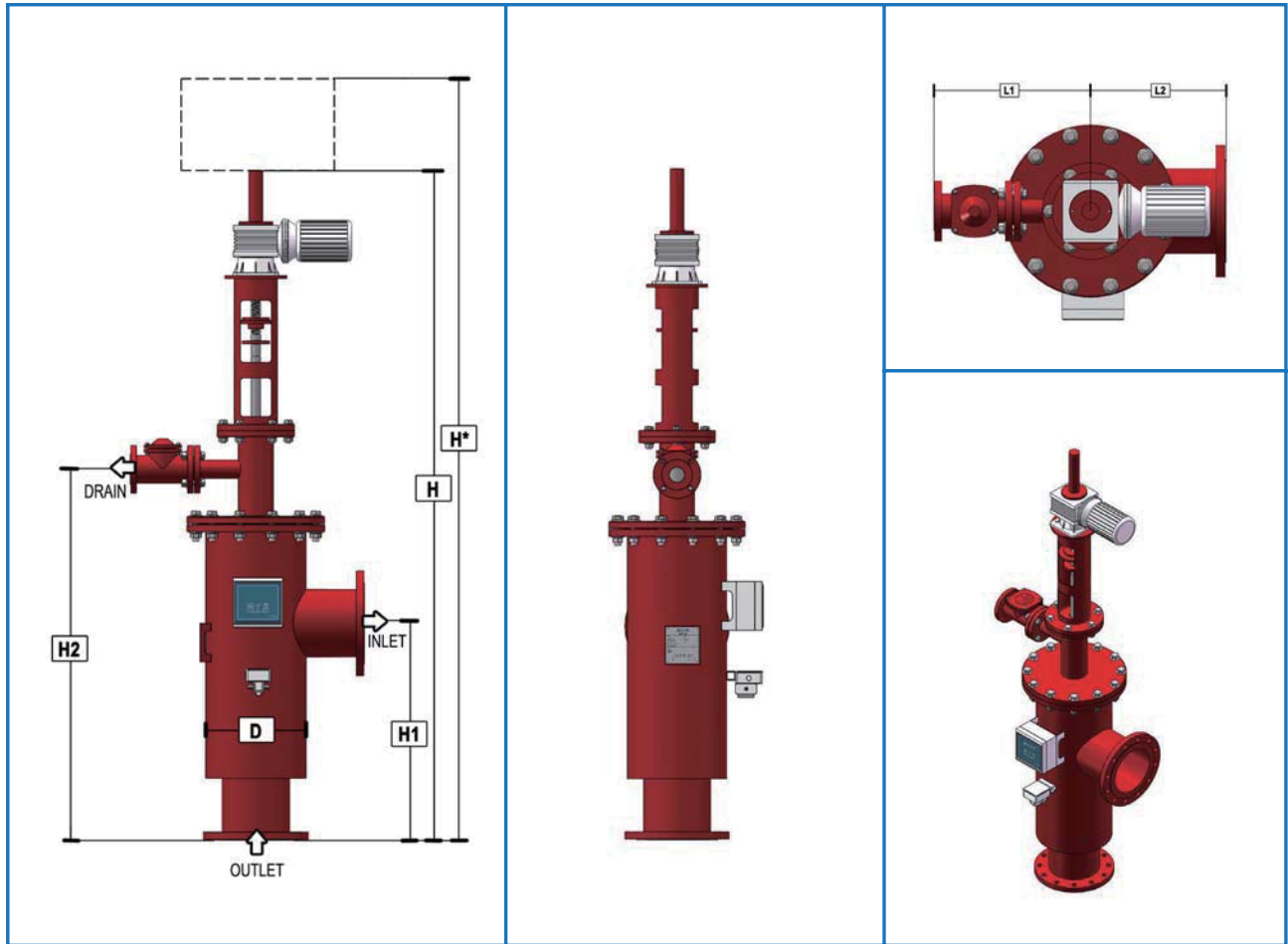
- 单台处理水量：80~2000m³/h
- 系统工作压力：0.25-2.5Mpa
- 压力等级：1.0Mpa/1.6Mpa/2.5Mpa
- 工作水温范围：0~65℃
- 过滤精度：50 ~3000 微米
- 过滤器水头压力损失：< 0.01 Mpa
- 进出口连接方式：法兰
- 反冲洗时间：12~18 秒
- 反冲洗水量：占过滤水量 1~3%
- 控制方式：压差控制 / PLC 定时控制 / 手动控制
- 清洗方式：吸咀式
- 额定操作电压：三相、380v、220v、50Hz
- 安装方式：立式

TECHNICAL PARAMETERS

- Filter flow : 80~2000 m³/h
- System working pressure : 0.25-2.5Mpa
- Pressure rating : 1.0Mpa/1.6Mpa/2.5Mpa
- Working temperature range : 0~65℃
- Filtering precision : 50 -3000micron
- Pressure loss : < 0.01 Mpa
- Inlet and outlet Connection : flange
- Backwash time : 12~18 sec
- Water usage during backwash cycle : 1%~3% of filtered water
- Control mode : DP control / PLC timing control / manual
- Cleaning mode : suction nozzle
- Rated operating voltage : 3 -ph, 380v, 220v, 50Hz
- Installation method : vertical



尺寸图 / SIZE CHART



型号规格 / MODEL AND SPECIFICATION

型号 Model	DN		流量 Flow m ³ /h	过滤面积 Filtration Area cm ²	重量 Weight Kg	尺寸 Dimensions						
	inch	mm				D	H	H*	H1	H2	L1	L2
						mm						
JA406	6	150	150	2890	175	325	1900	2000	500	895	400	350
JA408	8	200	300	4820	200	325	2200	2500	700	1195	400	350
JA410	10	250	400	6830	290	426	2305	2700	700	1305	400	420
JA412	12	300	600	9240	330	426	2635	3400	1000	1625	540	420
JA414	14	350	900	10500	440	530	2640	3400	1000	1630	540	480
JA416	16	400	1100	10500	460	530	2640	3400	950	1630	540	500
JA418	18	450	1500	15340	640	610	2805	3710	950	1795	540	500
JA420	20	500	2000	15340	690	610	2805	3700	950	1795	540	500



JA500型自清洗过滤器

JA500 SELF-CLEANING FILTER

JA500系列自清洗过滤器使用电机刷式清洗方式，清洗效果好。
有粗细两级过滤器网，卧式安装维护方便。

JA500 series of self cleaning filter using the brush cleaning mode with good cleaning effect.
This type filter have two-stage filtration, horizontal installation and maintenance is convenient.



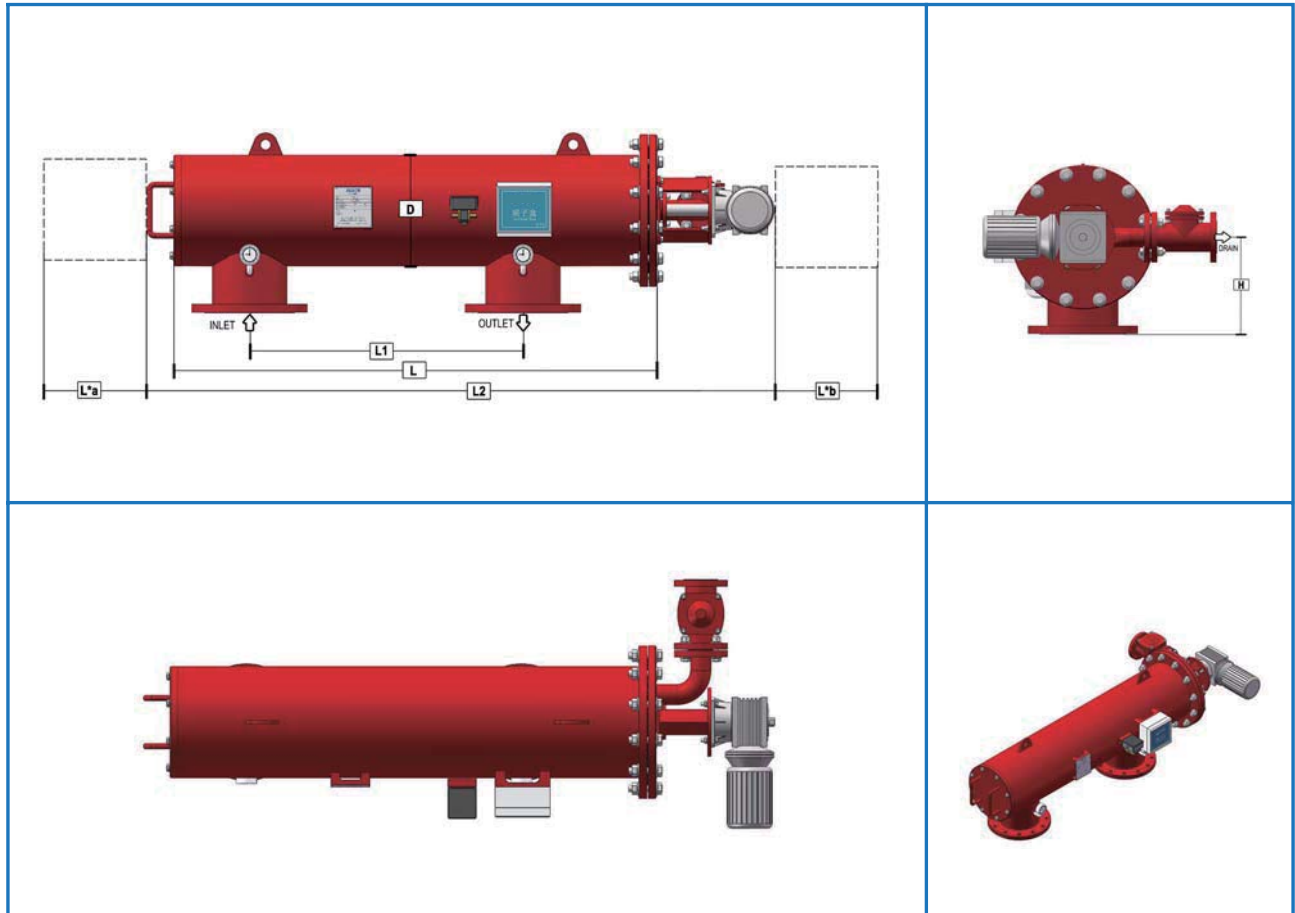
技术参数

- 单台处理水量：80~2000m³/h
- 系统工作压力：0.25-2.5Mpa
- 压力等级：1.0Mpa/1.6Mpa/2.5Mpa
- 工作水温范围：0~65°C
- 过滤精度：50 ~3000 微米
- 过滤器水头压力损失：< 0.01 Mpa
- 进出口连接方式：法兰
- 反冲洗时间：12~18 秒
- 反冲洗水量：占过滤水量 1~3%
- 控制方式：压差控制 / PLC 定时控制 / 手动控制
- 清洗方式：刷式
- 额定操作电压：三相、380v、220v、50Hz
- 安装方式：卧式

TECHNICAL PARAMETERS

- Filter flow : 80~2000 m³/h
- System working pressure : 0.25-2.5Mpa
- Pressure rating : 1.0Mpa/1.6Mpa/2.5Mpa
- Working temperature range : 0~65°C
- Filtering precision : 50 -3000micron
- Pressure loss : < 0.01 Mpa
- Inlet and outlet Connection : flange
- Backwash time : 12~18 sec
- Water usage during backwash cycle : 1%~3% of filtered water
- Control mode : DP control / PLC timing control / manual
- Cleaning mode : brush
- Rated operating voltage : 3 -ph, 380v, 220v, 50Hz
- Installation method: horizontal

尺寸图 / SIZE CHART



型号规格 / MODEL AND SPECIFICATION

型号 Model	DN		流量 Flow m ³ /h	过滤面积 Filtration Area cm ²	重量 Weight Kg	尺寸 Dimensions						
	inch	mm				D	L	H	L1	L2	L*a	L*b
						mm						
JA504	4	100	80	3530	180	325	1255	508	450	827	350	600
JA506	6	150	150	3530	190	325	1330	508	500	902	400	600
JA508	8	200	300	5650	235	325	1820	522	800	1392	600	900
JA510	10	250	400	7910	340	426	1915	622	800	1482	700	900
JA512	12	300	600	10880	415	426	2525	632	1100	2092	1100	1200
JA514	14	350	900	13820	530	530	2525	735	1100	2092	1100	1200
JA516	16	400	1100	13820	550	530	2525	745	1100	2092	1100	1200
JA518	18	450	1500	13820	1020	720	2550	978	1100	2107	1100	1200
JA520	20	500	2000	21760	1570	1016	2530	1268	1100	2067	1100	1200



JA600型自清洗过滤器

JA600 SELF-CLEANING FILTER

JA600 系列为立式自清洗过滤器，占地面积小。电机刷式清洗方式，清洗效果好。

The JA600 series is vertical self cleaning filter, small footprint saves valuable installation space. The cleaning mode is motor brush with good cleaning effect.

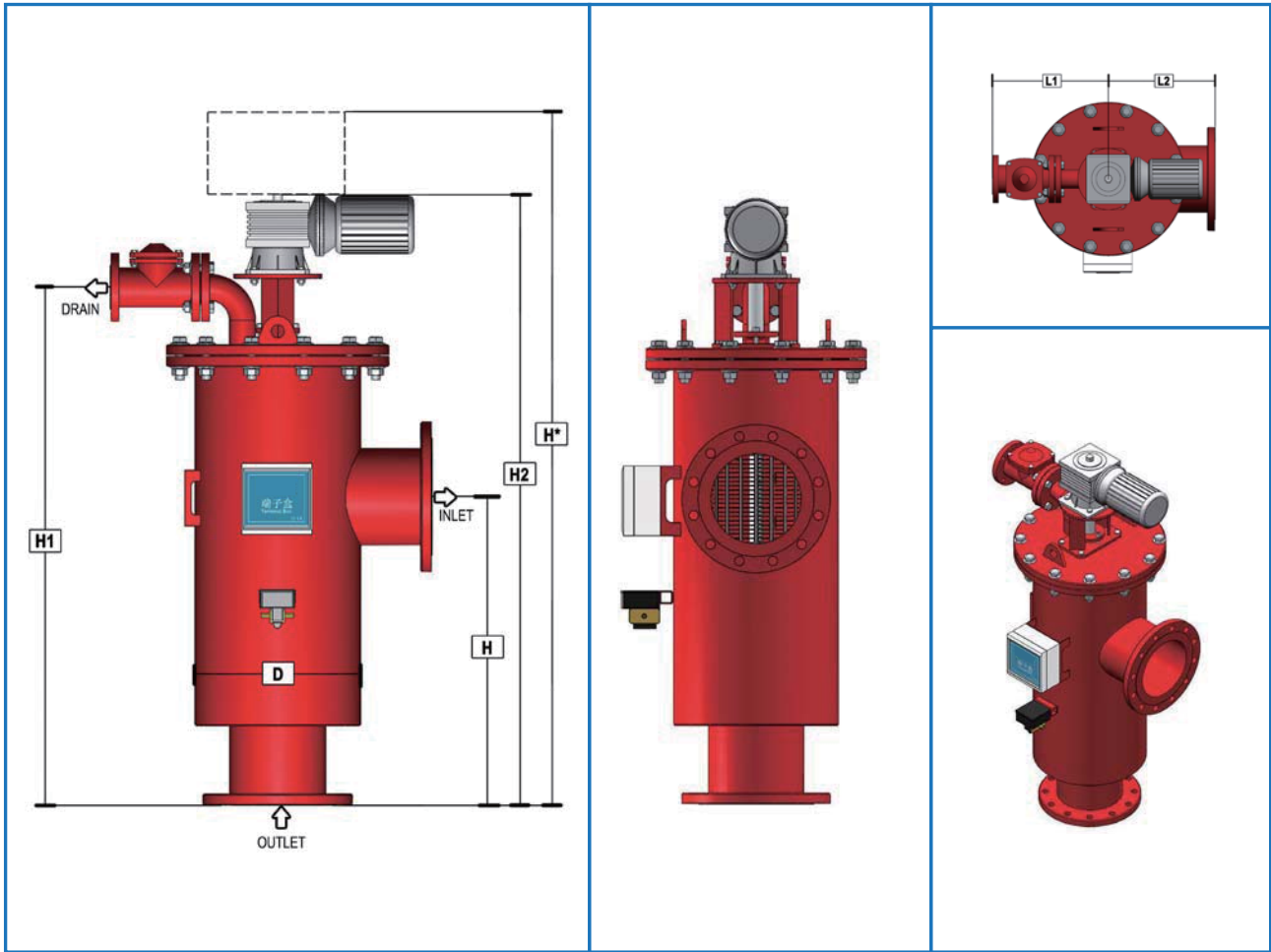
技术参数

- 单台处理水量：80~4200m³/h
- 系统工作压力：0.25~2.5Mpa
- 压力等级：1.0Mpa/1.6Mpa/2.5Mpa
- 工作水温范围：0~65°C
- 过滤精度：50 ~3000 微米
- 过滤器水头压力损失：< 0.01 Mpa
- 进出口连接方式：法兰
- 反冲洗时间：12~18 秒
- 反冲洗水量：占过滤水量 1~3%
- 控制方式：压差控制 / PLC 定时控制 / 手动控制
- 清洗方式：刷式
- 额定操作电压：三相，380v，220v，50Hz
- 安装方式：立式

TECHNICAL PARAMETERS

- Filter flow : 80-4200 m³/h
- System working pressure : 0.25-2.5Mpa
- Pressure rating : 1.0Mpa/1.6Mpa/2.5Mpa
- Working temperature range : 0~65°C
- Filtering precision : 50 -3000micron
- Pressure loss : < 0.01 Mpa
- Inlet and outlet Connection : flange
- Backwash time : 12-18 sec
- Water usage during backwash cycle : 1%~3% of filtered water
- Control mode : DP control / PLC timing control / manual
- Cleaning mode : brush
- Rated operating voltage: 3 -ph, 380v, 220v, 50Hz
- Installation method : vertical

尺寸图 / SIZE CHART



型号规格 / MODEL AND SPECIFICATION

型号 Model	DN		流量 Flow m ³ /h	过滤面积 Filtration Area cm ²	重量 Weight Kg	电机数 Number of motors	尺寸 Dimensions						
	inch	mm					D	H	H1	H2	H2*	L1	L2
	mm												
JA604	4	100	80	3530	175	1	377	500	875	1088	1350	373	350
JA606	6	150	150	3530	180	1	377	500	875	1088	1350	373	350
JA608	8	200	300	5650	210	1	377	700	1175	1388	1950	373	350
JA610	10	250	400	7910	305	1	480	700	1195	1398	1950	403	420
JA612	12	300	600	10880	340	1	480	1000	1495	1698	2550	403	420
JA614	14	350	900	13820	540	1	610	1000	1545	1749	2600	443	480
JA616	16	400	1100	13820	555	1	610	950	1545	1749	2600	443	500
JA618	18	450	1500	13820	730	1	720	950	1555	1749	2600	443	550
JA620	20	500	2000	21760	1120	2	1016	1200	1933	2136	3600	403	700
JA624	24	600	2800	32640	1570	3	1220	1200	2000	2203	3060	723	800
JA628	28	700	3200	41450	2250	3	1420	1300	2370	2573	3350	828	900
JA632	32	800	4200	55360	2935	4	1620	1400	2450	2653	3450	780	1050



JA700型自清洗过滤器

JA700 SELF-CLEANING FILTER

JA700 系列近出水口都设计在侧面，安装非常方便。
流量最高可达4200m³/h，适合大流量的要求。

The position of inlet and outlet are designed on the side, the installation is very convenient.

The maximum flow rate of up to 4200m³/h, suitable for high water flow.



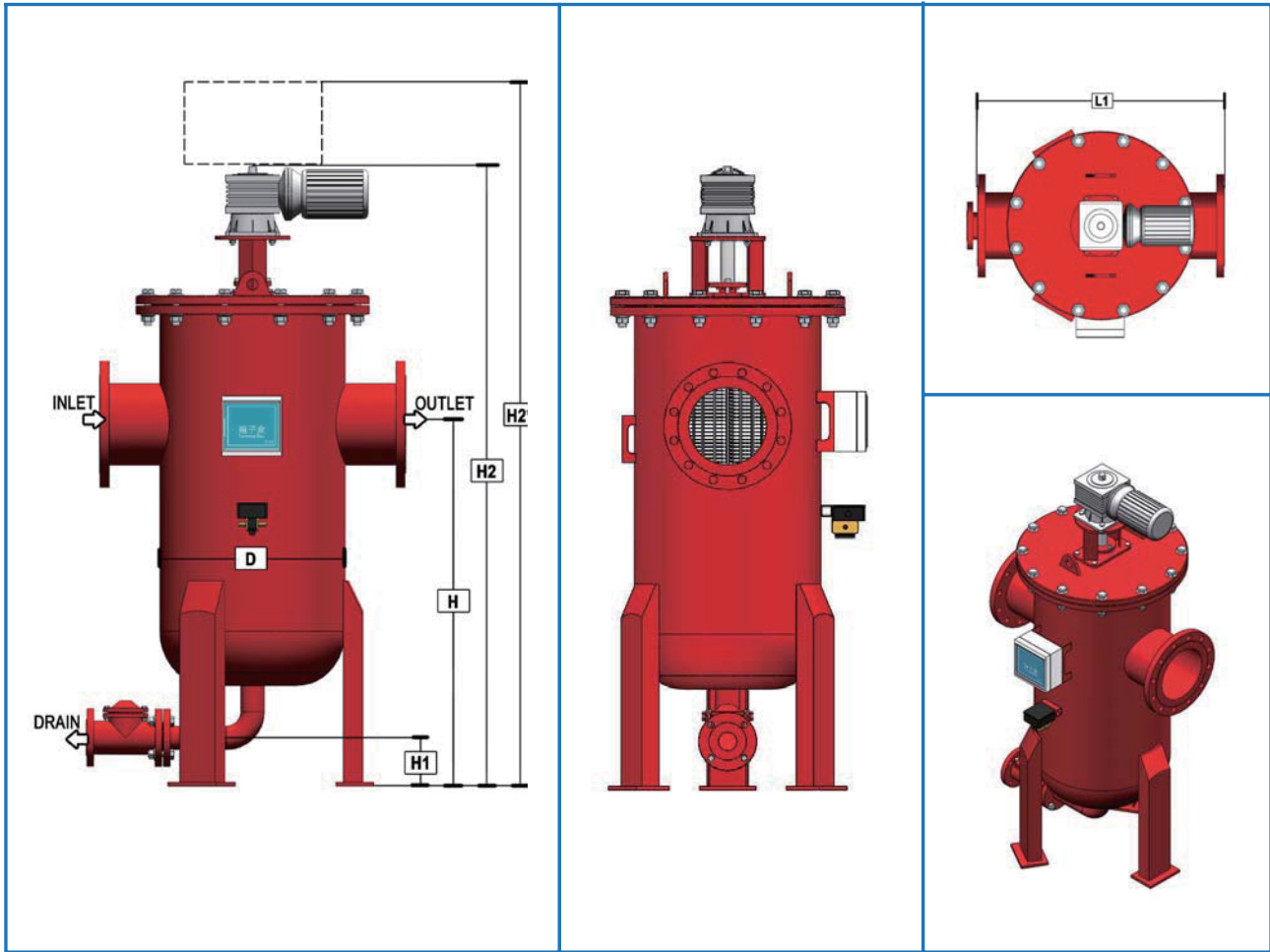
技术参数

- 单台处理水量：80~4200m³/h
- 系统工作压力：0.25-2.5Mpa
- 压力等级：1.0Mpa/1.6Mpa/2.5Mpa
- 工作水温范围：0~65℃
- 过滤精度：50 ~3000 微米
- 过滤器水头压力损失：< 0.01 Mpa
- 进出口连接方式：法兰
- 反冲洗时间：12~18 秒
- 反冲洗水量：占过滤水量 1~3%
- 控制方式：压差控制 / PLC 定时控制 / 手动控制
- 排污方式：自动排污，安全可靠、无故障
- 额定操作电压：三相，380v，220v，50Hz
- 安装方式：立式

TECHNICAL PARAMETERS

- Filter flow: 80~4200 m³/h
- System working pressure : 0.25-2.5Mpa
- Pressure rating : 1.0Mpa/1.6Mpa/2.5Mpa
- Working temperature range : 0~65℃
- Filtering precision : 50 -3000micron
- Pressure loss : < 0.01 Mpa
- Inlet and outlet Connection : flange
- Backwash time : 12~18 sec
- Water usage during backwash cycle : 1%~3% of filtered water
- Control mode : DP control / PLC timing control / manual
- Cleaning mode : brush
- Rated operating voltage: 3 -ph, 380v, 220v, 50Hz
- Installation method : vertical

尺寸图 / SIZE CHART



型号规格 / MODEL AND SPECIFICATION

型号 Model	DN		流量 Flow m ³ /h	过滤面积 Filtration Area cm ²	重量 Weight Kg	尺寸 Dimensions					
	inch	mm				D	H	H1	H2	H2*	L
						mm					
JA710	10	250	400	7910	600	615	1000	150	1820	2400	1000
JA712	12	300	600	10880	650	615	1200	150	2120	3000	1000
JA714	14	350	900	13820	1250	820	1200	150	2220	3250	1300
JA716	16	400	1100	13820	1340	820	1200	150	2220	3250	1300
JA718	18	450	1500	13820	1500	920	1200	150	2240	3400	1400
JA720	20	500	2000	21760	2000	1120	1250	150	2340	3400	1500
JA724	24	600	2800	32640	2400	1324	1300	150	2440	3450	1700
JA728	28	700	3200	41450	3200	1428	1700	180	3150	5300	1800
JA732	32	800	4200	55360	3600	1628	1800	180	3350	5350	2000



JAF 管道过滤器

JAF PIPE-LINE FILTER

JAF系列可以做成自动清洗的方式。也可以做成首要清洗的方式，完全不用电来控制。
JAF series can be controlled automatically or manually without electricity.



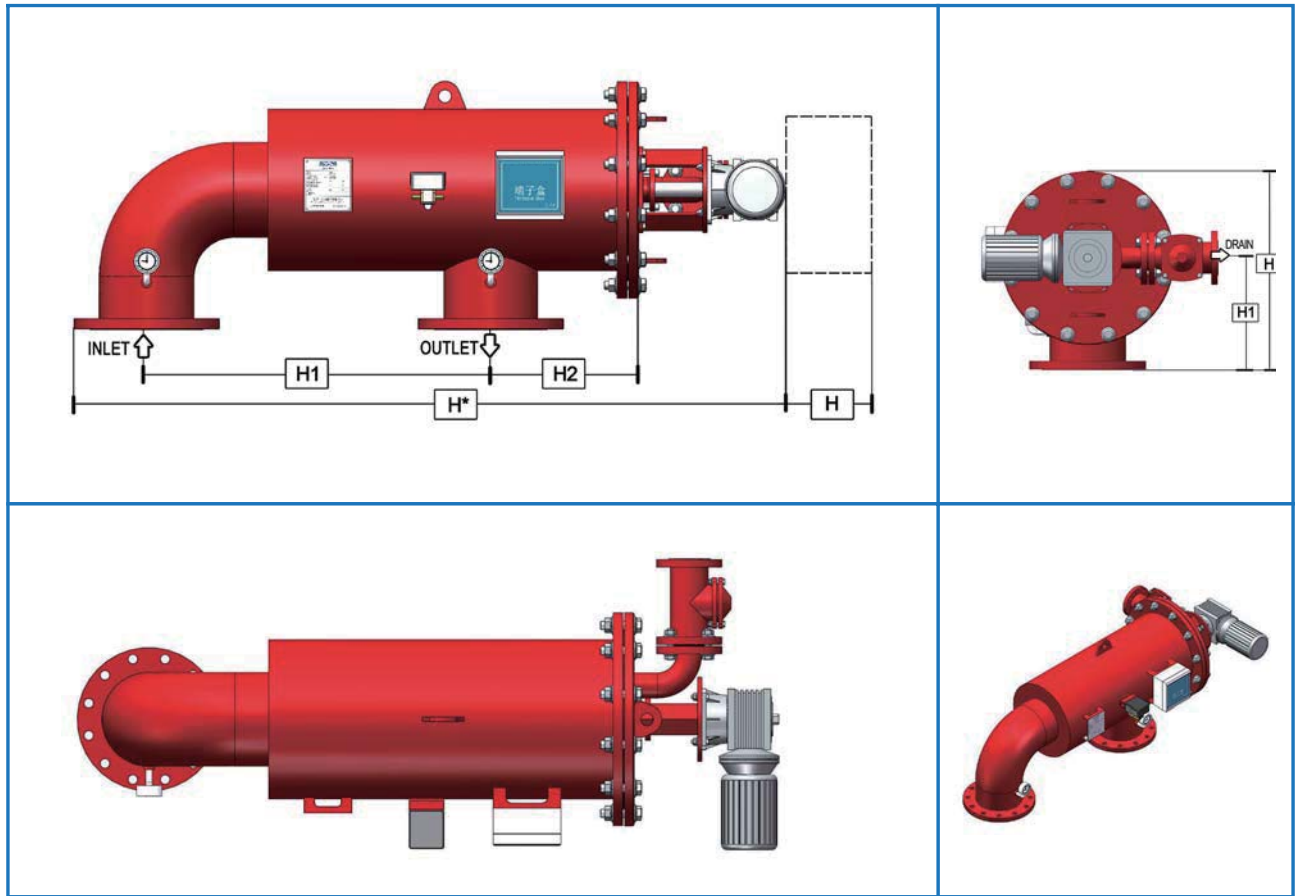
技术参数

- 单台处理水量：80-1100m³/h
- 工作水温范围：0-65℃
- 系统工作压力：0.25-2.5Mpa
- 压力等级：1.0Mpa
- 过滤精度：50 -3000 微米
- 过滤器水头压力损失：< 0.01 Mpa
- 进出口连接方式：法兰
- 反冲洗时间：15-20 秒
- 反冲洗水量：占过滤水量 1~3%
- 清洗方式：刷式
- 控制方式：压差控制 / PLC 定时控制 / 手动控制
- 额定操作电压：三相、380v、220v、50Hz

TECHNICAL PARAMETERS

- Single flow : 80-1100m³/h
- Working temperature range : 0-65℃
- System working pressure : 0.25-1.0Mpa
- Pressure rating : 1.0Mpa
- Filtering precision : 50 -3000micron
- Pressure loss : < 0.01 Mpa
- Inlet and outlet Connection : flange
- Backwash time : 15-20sec
- Water usage during backwash cycle : 1%~3% of filtered water
- Cleaning mode : brush
- Drain way : manual / timing control / DP control
- Rated operating voltage : 3 -ph, 380v, 220v, 50Hz

尺寸图 / SIZE CHART



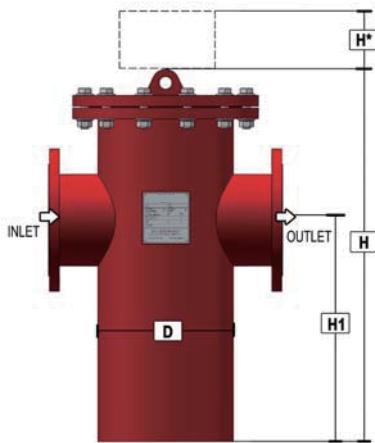
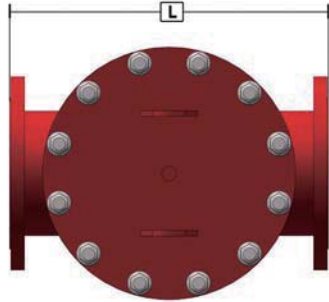
型号规格 / MODEL AND SPECIFICATION

型号 Model		DN		流量 Flow	重量 Weight	尺寸 Dimensions						
						L	L1	L2	L*	H1	H	M
JAF	JAFS	inch	mm	m ³ /h	Kg	mm						
JAF100	AFS100	4	100	80	56	1129	450	268	700	220	405	G1"
JAF150	AFS150	6	150	150	90	1203	500	262	700	250	447	
JAF200	AFS200	8	200	300	160	1657	800	343	1100	300	523	
JAF250	AFS250	10	250	400	240	1763	800	403	1100	350	633	G2"
JAF300	AFS300	12	300	600	300	2140	1000	503	1400	360	643	
JAF350	AFS350	14	350	900	380	2220	1100	503	1400	420	755	
JAF400	AFS400	16	400	1100	430	2250	1100	503	1400	480	815	



JAL 管道过滤器

JAL PIPE-LINE FILTER

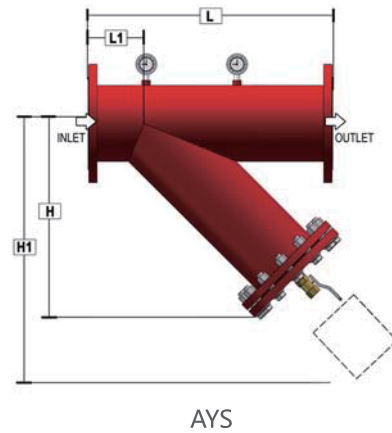
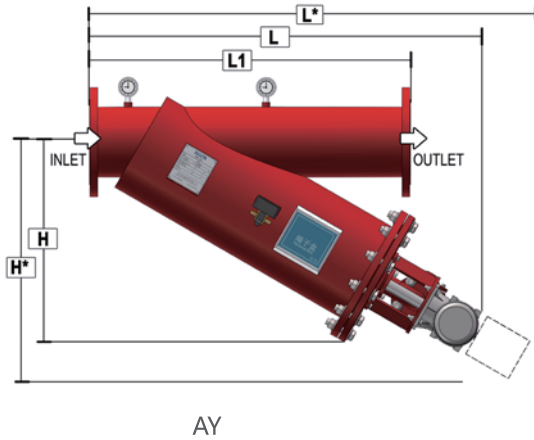


型号规格 / MODEL AND SPECIFICATION

型号 Model	DN		流量 Flow m ³ /h	重量 Weight kg	尺寸 Dimensions				
	inch	mm			L	H	H1	H*	D
					mm				
JAL100	4	100	80	50	400	577	300	1000	219
JAL150	6	150	150	88	500	729	420	1200	273
JAL200	8	200	300	125	560	891	530	1500	325
JAL250	10	250	400	175	660	1023	640	1770	377
JAL300	12	300	600	250	750	1295	840	2250	426
JAL350	14	350	900	315	800	1298	840	2300	480
JAL400	16	400	1100	395	850	1431	900	2500	530
JAL450	18	450	1500	560	950	1605	1000	2800	610
JAL500	20	500	2000	780	1100	1753	1100	3100	720
JAL600	24	600	2800	1115	1200	1855	1100	3250	820

JAY/JAYS 管道过滤器

JAY/JAYS PIPE-LINE FILTER



技术参数

- 单台处理水量：80-1100m³/h
- 压力等级：1.0Mpa
- 工作水温范围：0-65°C
- 过滤精度：50 -3000 微米
- 进出口连接方式：法兰
- 反冲洗时间：15-20 秒
- 反冲洗水量：占过滤水量 1~3%
- 清洗方式：刷式
- 控制方式：压差控制 /PLC 定时控制 / 手动控制
- 额定操作电压：三相、380v、220v、50Hz

TECHNICAL PARAMETERS

- Filter flow : 80-1100 m³/h
- Pressure rating : 1.0Mpa
- Working temperature range : 0~65°C
- Filtering precision : 50 -3000 micron
- Inlet and outlet Connection : flange
- Backwash time : 15~20 sec
- Water usage during backwash cycle : 1%~3% of filtered water
- Cleaning mode : brush
- Drain way : manual / timing control/ DP control
- Rated operating voltage : 3 -ph, 380v, 220v, 50Hz

型号规格 /MODEL AND SPECIFICATION

型号 Model		DN		流量 Flow	重量 Weight	尺寸 Dimensions					
						L	L1	L*	H	H*	M
JAYS	JAY	inch	mm	m ³ /h	kg	mm					
JAYS100	JAY100	4	100	80	70	939	750	1200	40	650	2"
JAYS150	JAY150	6	150	150	90	938	800	1200	468	750	
JAYS200	JAY200	8	200	300	150	1218	1000	2000	729	1100	
JAYS150	JAY150	10	250	400	240	1254	1200	2000	733	1100	
JAYS300	JAY300	12	300	600	280	1540	1200	2500	880	1400	
JAYS350	JAY350	14	350	900	350	1606	1600	2500	884	1400	
JAYS400	JAY400	16	400	1100	420	1606	1600	2500	884	1500	

JAY series is divided into AYS manual brush model and JAY-type self-cleaning model



JQF 型砂滤器

JQF SERIES SAND FILTER

JQF 型浅层砂过滤器，能有效降低水的浊度，常用于预处理和农业灌溉。整个工作过程自动完成，不需外接水源。

JQF type shallow sand filter, can effectively reduce the water turbidity, commonly used in pretreatment and agricultural irrigation. The work process can be controlled automatically, and it does not need external water supply.

技术参数

- 单台工作最高水流量：50m³/h
- 压力等级：0.25MPa~0.5MPa
- 工作水温范围：0~65°C
- 出水浊度：可控制在 3 度以下
- 进出口连接方式：法兰
- 反冲洗水量：占过滤水量：1~3%
- 控制方式：压差控制 / 定时控制
- 排污方式：自动排污
- 额定操作电压：220v，50Hz
- 安装方式：安装方式灵活，可采用上下叠加或平行摆放、多列并联等方式

TECHNICAL PARAMETERS

- Single filter water flow : 2~50m³/h
- Pressure rating : 0.25MPa~0.5MPa
- Working temperature range : 0~65°C
- Effluent turbidity : less-than three
- Inlet and outlet Connection : flange
- Backwash water : for total filtered water 1 to 3%
- Control mode : DP control / PLC timing control
- Sewage way : automatic drain
- Rated operation voltage: 220V, 50Hz
- Installation: Flexible, it can be used on the stack up and down or placed in parallel, multiple columns in parallel etc.

